

2D PRESENTATION BARCODE SCANNER

Quick Guide



2D PRESENTATION BARCODE SCANNER QUICK GUIDE (REV.1)
P/N: 8013-0073000

FCC WARNING STATEMENT

This equipment has been tested and found to comply with the limits for a Class B digital device, pursuant to Part 15 of the FCC Rules. These limits are designed to provide reasonable protection against harmful interference in a residential installation.

This equipment generates, uses and can radiate radio frequency energy and, if not installed and used in accordance with the instructions, may cause harmful interference to radio communications. However, there is no guarantee that interference will not occur in a particular installation. If this equipment does cause harmful interference to radio or television reception, which can be determined by turning the equipment off and on, the user is encouraged to try to correct the interference by one of the following measures:

- Reorient or relocate the receiving antenna.
- Increase the separation between the equipment and receiver.
- Connect the equipment into an outlet on a circuit different from that to which the receiver is connected.
- Consult the dealer or an experienced radio/TV technician for help.

CANADIAN DOC STATEMENT

This digital apparatus does not exceed the Class B limits for radio noise for digital apparatus set out in the Radio Interference Regulations of the Canadian Department of Communications.

Le présent appareil numérique n'émet pas de bruits radioélectriques dépassant les limites applicables aux appareils numériques de la classe B prescrites dans le Règlement sur le brouillage radioélectrique édicté par les ministères des Communications du Canada.

CE MARKING AND EUROPEAN UNION COMPLIANCE

Testing for compliance to CE requirements was performed by an independent laboratory. The unit under test was found compliant with all the applicable Directives, 2004/108/EC and 2006/95/EC.

WASTE ELECTRICAL AND ELECTRONIC EQUIPMENT

The WEEE directive places an obligation on all EU-based manufacturers and importers to take-back electronic products at the end of their useful life.

ROHS STATEMENT OF COMPLIANCE

This product is compliant to Directive 2002/95/EC.

NON-MODIFICATION STATEMENT

Changes or modifications not expressly approved by the party responsible for compliance could void the user's authority to operate the equipment



WARNING AND CAUTION

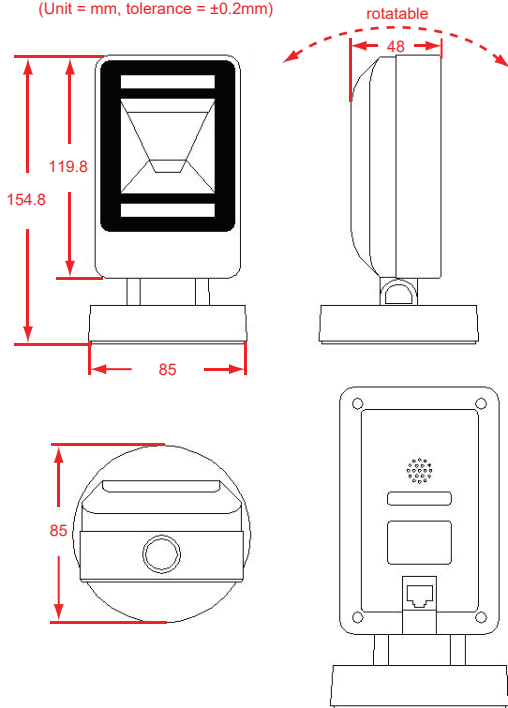
	1. Take any metals into contact with the terminals in connectors. 2. Use the scanner where any inflammable gases.
	If following condition occur, immediately power off the host computer, disconnect the interface cable, and contact your nearest dealer. 1. Smoke, abnormal odors or noises come from the scanner. 2. Drop the scanner so as to affect the operation or damage its housing.
	Do not do behavior below. 1. Put the scanner in places excessively high temperatures such as expose under direct sunlight. 2. Use the scanner in extremely humid area or drastic temperature changes. 3. Place the scanner in oily smoke or steam environment such as cooking range. 4. Be covered or wrapped up the scanner in bad-ventilated area such as under cloth or blanket.
	5. Insert or drop foreign materials or water into scanning window or vents.
	6. Using the scanner while hand is wet or damp. 7. Use the scanner with anti-slip gloves containing plasticizer and chemicals or organic solvents such as benzene, thinner, insecticide etc to clean the housing. Otherwise, it could not result fire and electrical shock but housing may be broken and injured.
	8. Scratch or modify the scanner and bend, twist, pull or heat its interface cable. 9. Put heavy objects on interface cable.
	Do not stare the light source from the scanning window or do not point the scanning window at other people's eyes or eyesight may be damaged by direct exposure under the light.
	Do not put the scanner on an unstable or inclined plane. The scanner may drop, creating injuries.
	Once the interface cable is damaged such as exposed or broken copper wires, stop using immediately and contact your dealer. Otherwise, it could result fire or electrical shock.

SPECIFICATIONS

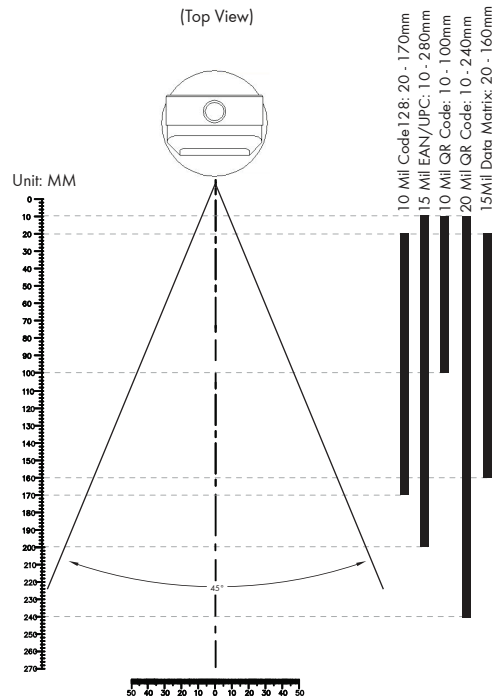
Light source	visible red LED
Sensor	640 x 480
Scan rate	120 frames/sec
Resolution	4mil/ 0.1mm
PCS	20%
Width of Field	135mm (13Mil Code39)
Depth of Field (Typical)	10 Mil Code 128: 20 - 170mm 15 Mil UPC/EAN: 10 - 280mm 10 Mil QR Code: 10 - 100mm 20 Mil QR Code: 10 - 240mm 15 Mil DataMatrix: 20 - 160mm
Dimension	W85 x L85 x H155 mm
Weight	250g
Connector	USB TypeA, Dsub9
Cable	200cm/78.7in (Interchangeable)
Interface	USB HID, RS232
Indicator	LED, Buzzer
Voltage	5VDC±5%
Working Current	< 500mA
Standby Current	< 500mA
Operating Temp.	-30 to 70°C (-22°F to 158°F)
Storage Temp.	-40 to 80°C (-40°F to 176°F)
Ambient Light	100,000 lux (Sunlight)
Drop Durability	1.5M
Symbologies	QR Code, DataMatrix, PDF417 and all major 1D barcodes

DIMENSIONS

(Unit = mm, tolerance = ±0.2mm)



SCANNING RANGE



BEEPER INDICATION

Single Short Beep	Good read
Three beeps	Successful setup
Four beeps	Power up

LED INDICATION

Green	Good read
Blue	Normal mode
Red	Special mode (diable Code39)

GETTING STARTED

1. The scanner works like an USB keyboard. Make sure your host device supports USB keyboard before use.
2. Plug the scanner to the USB port of your host device. The scanner will emit four beeps at power-up.
3. The OS will automatically intall USB driver for the scanner if it is connected to your host device for the first time. Wait until the installation finishes.
4. Open Notepad or any application that can accept keyboard input. Try scanning some random barcodes and the barcode data will be displayed.

GENERAL SETTINGS

DEFAULT



CHECK VERSION



BEEPER



GOOD READ BEEP ON



GOOD READ BEEP OFF



POWER UP BEEP ON



POWER UP BEEP OFF



SETUP BEEP ON



SETUP BEEP OFF

KEYBOARD LAYOUT



ENGLISH (USA)



ENGLISH (UK)



JAPANESE



THAILAND



GERMAN



FRENCH



RUSSIAN



UKRAINE



SPANISH



ITALIAN



PORTUGUESE



BRAZILIAN (ABNT2)



BELGIAN



DANISH



HUNGARIAN



ROMANIAN
(STANDARD)



DUTCH



POLISH (214)



GREEK



NORWEGIAN



CZECH



SLOVAK



SWEDISH



FINNISH

TERMINATOR



CR



CR+LF



CR+CR



CR+LF+CR+LF



TAB



NONE

SYBLOGIES



ENABLE ALL 1D CODES



DISABLE ALL 1D CODES



ENABLE ALL 2D CODES



DISABLE ALL 2D CODES

CAPITAL LOCK



NONE



ALL UPPER CASE



ALL LOWER CASE



INVERT CASE