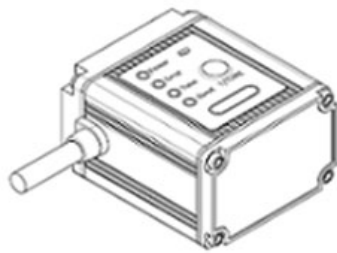


MT6228

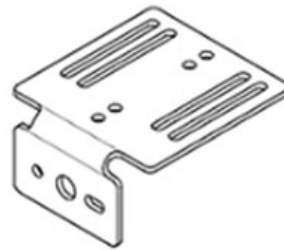
Fixed Mount Scanner

Quick Guide

Out of Box



Fixed Mount Scanner



Mounting Bracket

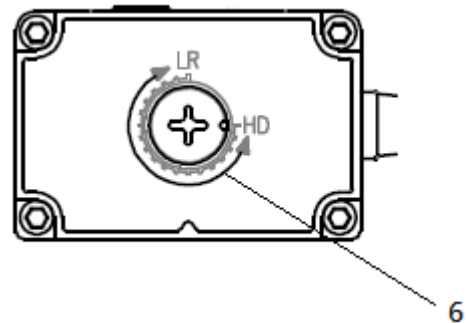
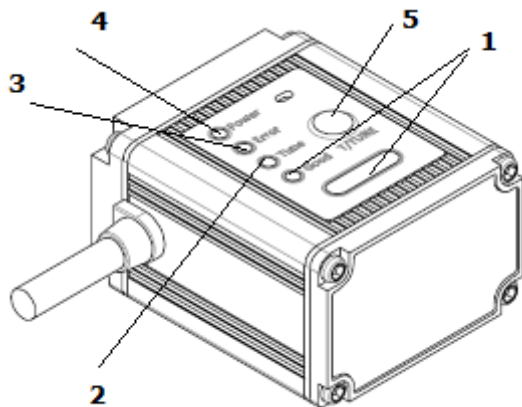


Quick Guide



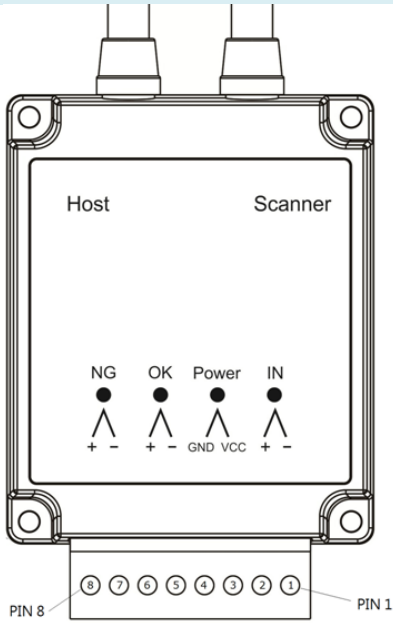
Cable + I/O Box

Introduction



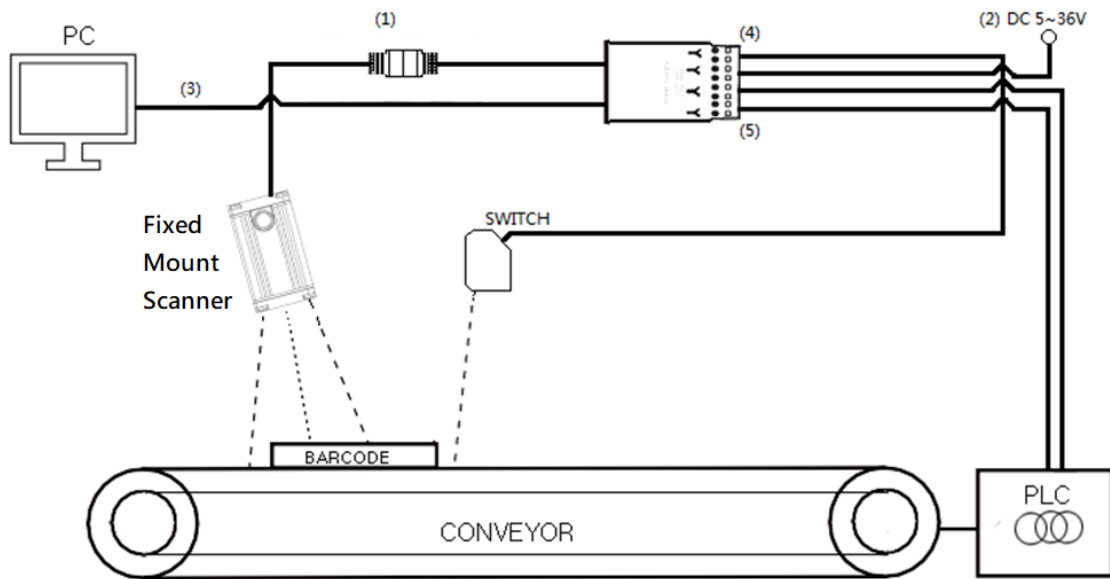
1	Good Read LED
2	Tuning Mode LED
3	No Read LED
4	Power On LED
5	Tuning Button / Scan Button
6	Mechanical Knob For Lens Focus

I/O Box



PIN	Signal	Function
1	Opto Isolated Input(-)	Trigger Input
2	Opto Isolated Input(+)	
3	VCC (+)	5-36 VDC
4	GND (-)	
5	Opto Isolated Output (-)	Good Read Indicator
6	Opto Isolated Output (+)	
7	Opto Isolated Output (-)	No Read Indicator
8	Opto Isolated Output (+)	

Installation

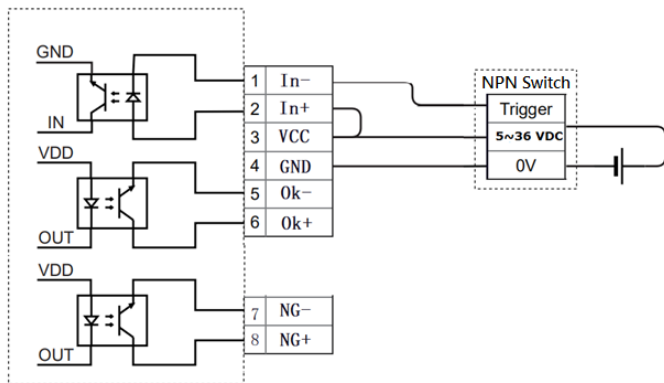


Above is an installation example:

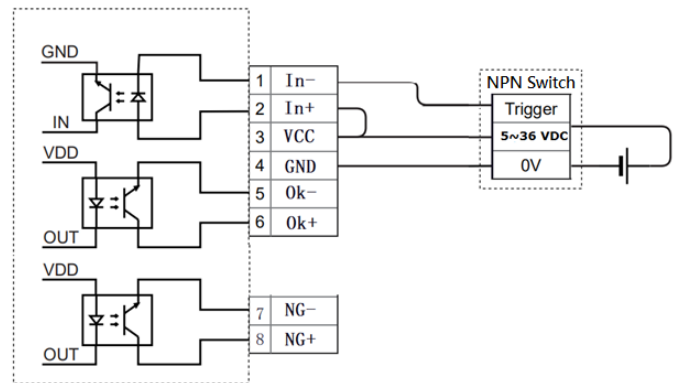
- (1) Connect the scanner with I/O Box via aviation plug
- (2) Connect 5~36V DC power, which is not needed when applying USB cable.
- (3) Connect I/O Box with PC or data terminal via RS232/USB/Ethernet.
- (4) If external trigger mode is used, an external sensor or PLC is needed.
- (5) If OK or NG signal is needed, connect Pin 5~8 to external device.

Input Diagram

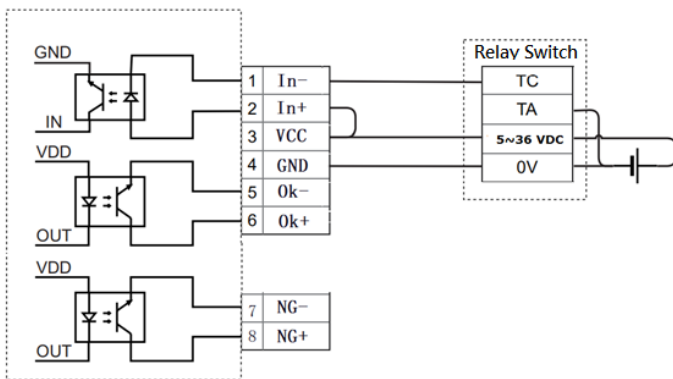
NPN Photoelectric Switch Input



PNP Photoelectric Switch Input

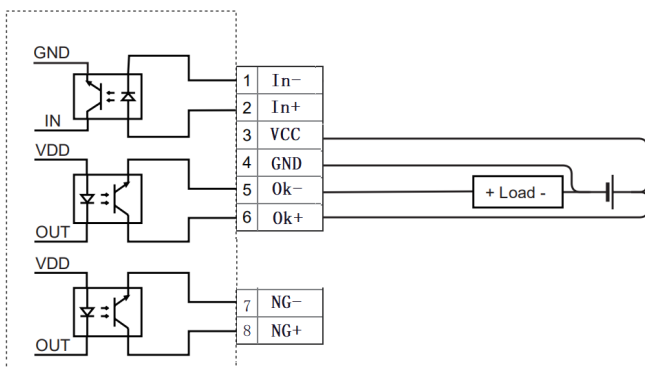


Relay Photoelectric Switch Input

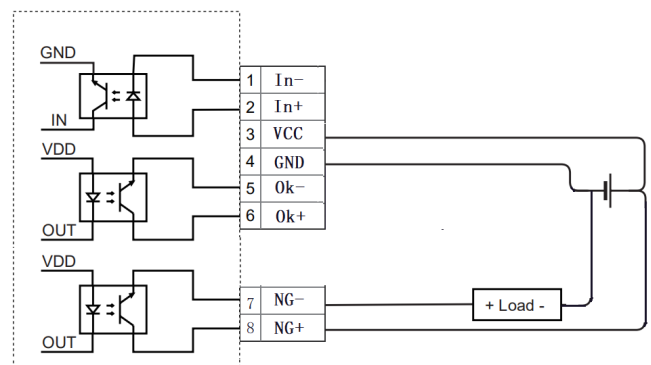


Output Diagram

Good Read (OK)



No Read (NG)

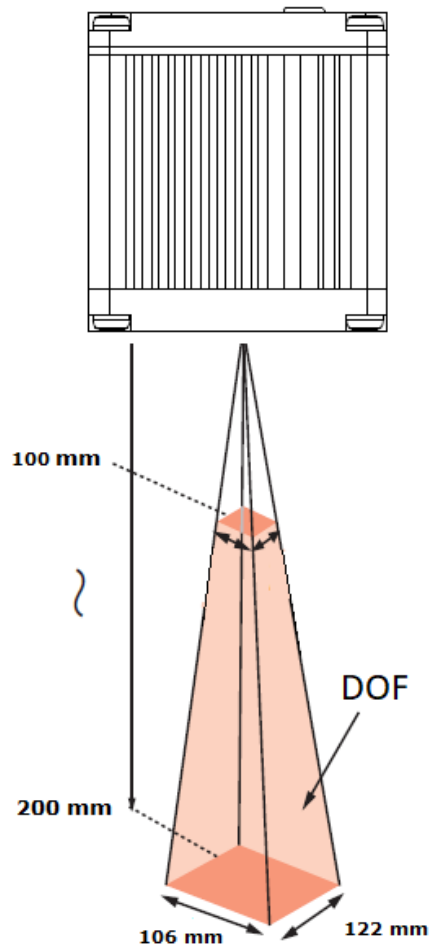


Specifications	
Performance	
Resolution	1280 x 800
Scan Angle	Horizontal 28° (H), Vertical 33° (V)
1D Symbologies	UPC A , UPC E , EAN 8 , EAN 13 , Code 128 , Code 39 , Code 93 , Code 32 , Code11 , Codabar, Plessey , MSI , Interleaved 2 of 5 , IATA 2 of 5 , Matrix 2 of 5 , Straight 2 of 5 , Pharmacode , RSS-14 , RSS-14 Expanded , RSS-14 Limited , Composite Code-A , Composite Code-B , Composite Code-C
2D Symbologies	PDF 417 , Micro PDF 417 , Data Matrix , QR , Micro QR , Aztec , MaxiCode
Motion Tolerance	Continuous Mode : 1M / sec External Trigger Mode : 2M / sec
Connectivity	
Interface	RS232, USB (HID ; CDC), Ethernet (TCP/UDP)
External Input	1 Optoisolated Input (NPN/PNP/Relay)
External Output	2 Optoisolated Output (Good/NG)
Power	5-36 VDC
Physical Characteristics	
Dimension	44 (W) × 52 (D) × 29 (H) mm
Material	Aluminum Alloy
Sealing	IP65
User Environment	
Storage Temp.	-40°C~+70°C
Operating Temp.	-20°C~+50°C
Regulatory	TBA

Depth of Field

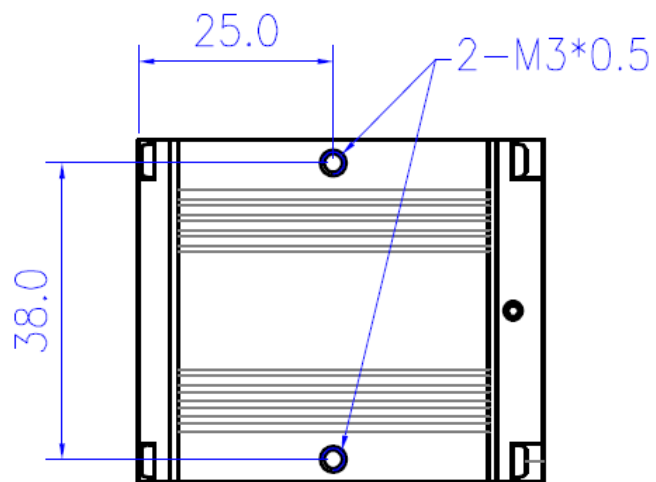
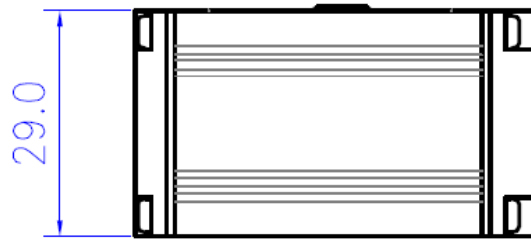
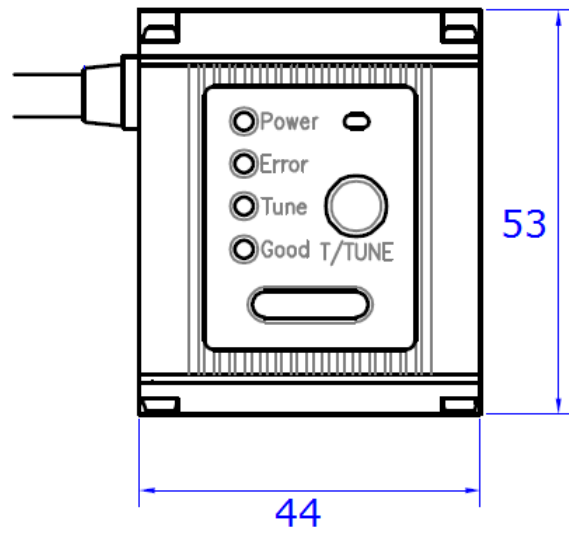
Lens Focus	LR (Long Range)	HD (High Density)
Resolution	1D : ≥ 5 mil ; 2D : ≥ 9 mil	1D : ≥ 3 mil ; 2D : ≥ 7 mil
DOF	Code39 (5 mil) : 150 mm ~ 300 mm EAN -13 (13 mil) : 115 mm ~ 550 mm QR Code (11 mil) : 125 mm ~ 250 mm	Code39 (3 mil) : 85 mm ~ 120 mm EAN-13 (13 mil) : 75 mm ~ 245 mm QR Code (7 mil) : 80 mm ~ 150 mm

Field of View



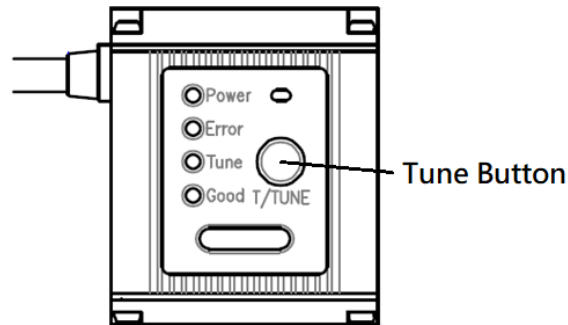
Distance (mm)	Field of View (mm)	
	Horizontal (mm)	Vertical (mm)
100	53	61
150	79	91
200	106	122

Dimensions

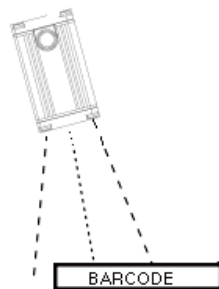


Auto-tuning

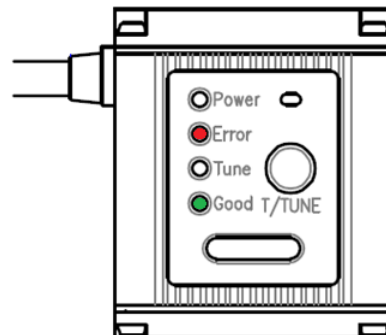
(1) Press and hold the Tune Button for about 5 seconds.



(2) Aim at the desired barcode. Release the Tune Button to start Auto-tuning.



(3) LED status indicates Auto-tuning result (Error or Good). If the result is Good, the settings will be stored permanently. No need for re-tuning after a power cycle. If the result is Error, please start over from step 1.



Troubleshooting

If the scanner does not work properly, please do the following first:

- (1) Check if the cable is connected firmly and is supplied by original manufacturer.
- (2) Check if the symbology (barcode type) is enabled.
- (3) Check if the barcode quality is good.

If the scanner still does not work properly, please contact your local distributor.