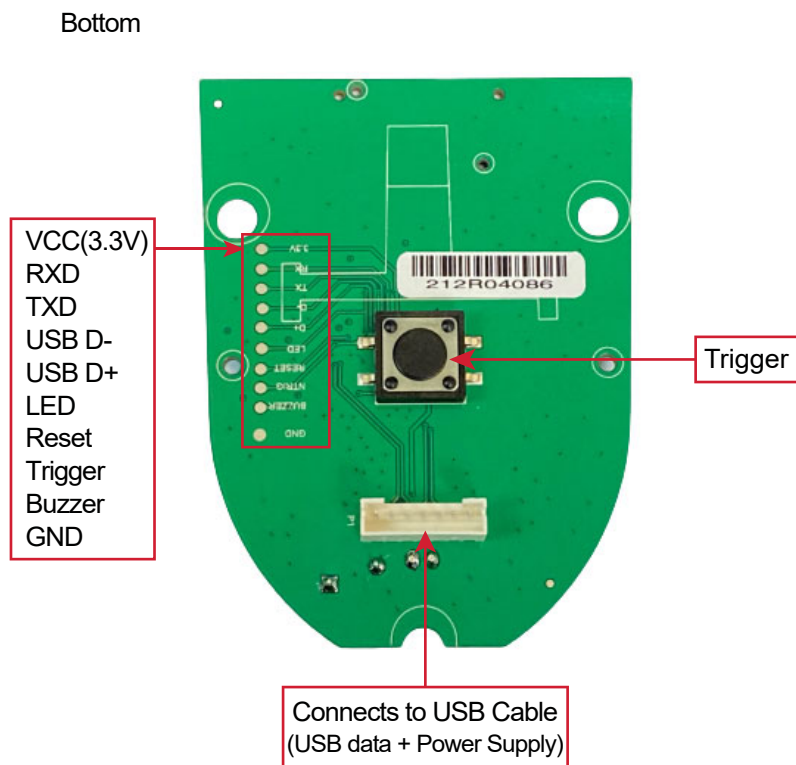
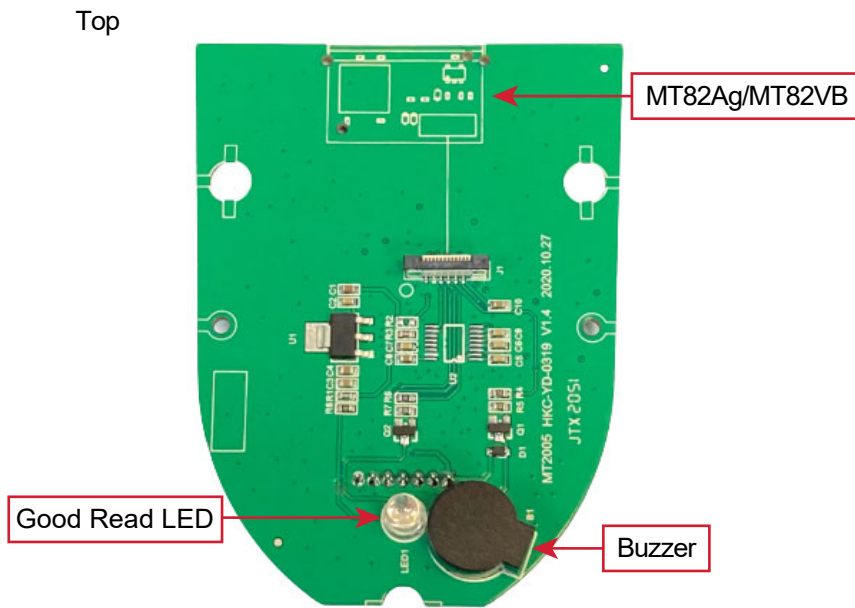


MB120 Multi I/O Board Integration Guide

Rev3



MB120 Demo Kit (P/N: 11C0-5020000) contains:

P/N	Description	Qty
9014-2700000	MB120 Multi I/O Board (above pic)	1
7040-1820001	USB Cable, 2100mm, Black	1
67XX-1009X12	12-pin FFC cable, 100mm, White	1
4202-1404110	Tapping Screw, T1.4x4mm	2