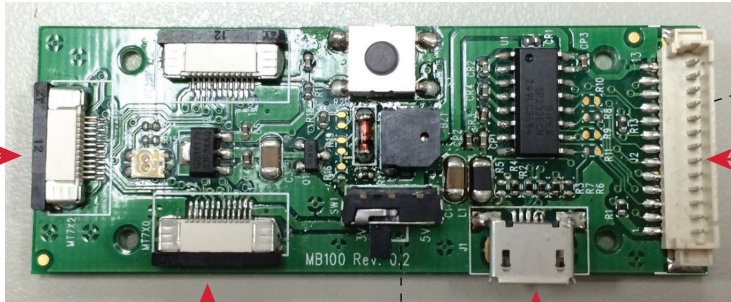
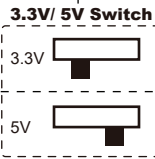


# MB100 Multi I/O Board Integration Guide

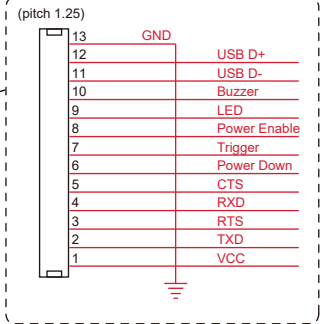
MT40  
MT40W  
MT30



MT10  
MT780  
MT15



### 13-pin Connector



### Interface/Cable Matrix

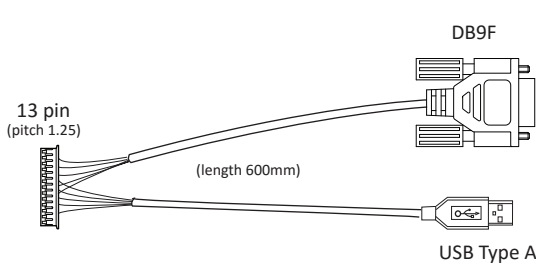
O: Supported X: Not Supported

Cable	Interface	RS232	USB HID	USB VCP*
External Y-cable (P/N: 7090-1583A00)		O	O	O
Internal Y-cable (P/N: 5300-1315X00)		O	O	O
Micro USB cable (P/N: 7005-9892A50)		X	O	O

\*Note: For VCP driver (Windows 32/64-bit OS) please refer to enclosed CD or visit our website ([www.marson.com.tw](http://www.marson.com.tw)) for the latest documentation and downloads.

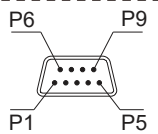
### External Y-cable

(P/N: 7090-1583A00)



\*Note: Power supply can be provided by the USB cable or directly from PIN 9 of the DB9F connector.

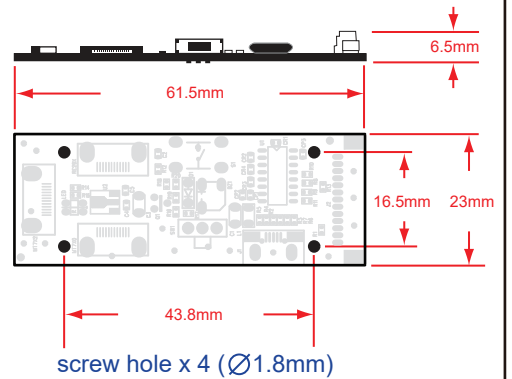
### D-sub 9 Female Connector



Pin	Signal
2	TXD(Out)
3	RXD(In)
5	GND
7	CTS(In)
8	RTS(Out)
9	VCC

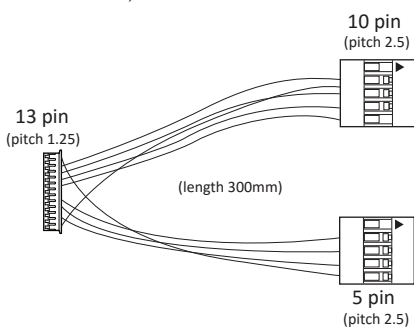
### MB100 Multi I/O Board

(P/N: 2006-1007X00)

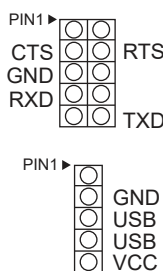


### Internal Y-cable

(P/N: 5300-1315X00)



### 10-pin & 5-pin Connector



\*Note: Power supply can only be provided by the 5-pin connector.

### Scan Engine Voltage

Voltage	3.3V	3.3~5V
Scan Engine	MT10	MT40
	MT780	MT40W
	MT30	
	MT15	