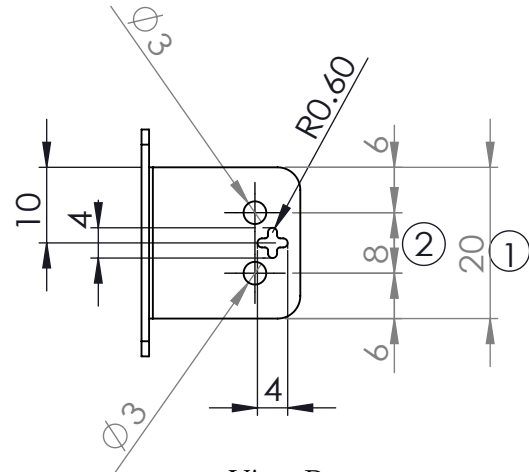
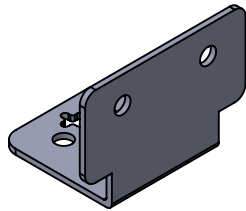


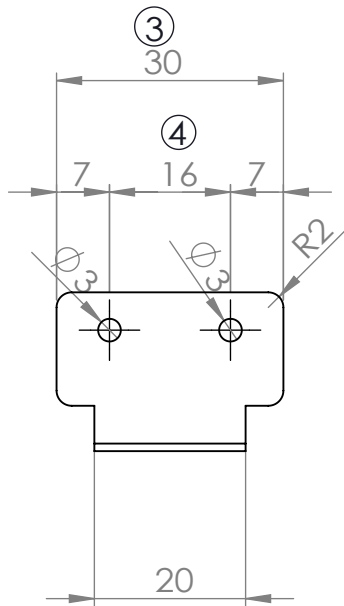
A		B		C				
TOLERANCES-UNLESS OTHERWISE SPECIFIED		DIM.	>120	120-30	30-6	6-0	. X	. XX
ANGLES ± °		TOLERANCES	±2	±0.15	±0.1	±0.05	±0.05	±0.05

REVISIONS

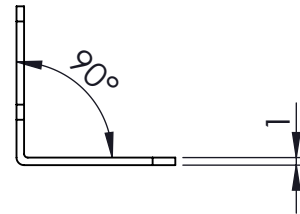
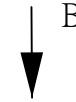
REV	DESCRIPTION	DESIGNED	CHECKED	APPROVED	DATE
△					



View B
(Fixed to Scanner side)



View A
(Fixed to Host side)



MATERIAL : **Stainless Steel, T=1.0 mm**

MODEL : **MT6220**

FINISHING :

PART NAME : **60-D MOUNTING PLATE**

DO NOT SCALE THIS DRAWING

THIRD ANGLE PROJECTION

UNIT
m/m

SCALE 1/1

DRAWING NO.

SHT

NOTE:SUBMIT FINAL SAMPLES BEFORE STARTING MASS-PRODUCTION

DESIGNED
Daniel hung
2014/10/2

CHECKED

APPROVED

PART NO.

EDI

3101-6201X00

△1.0